



# *Kammer Series 020000*

## *Split Body Valves*

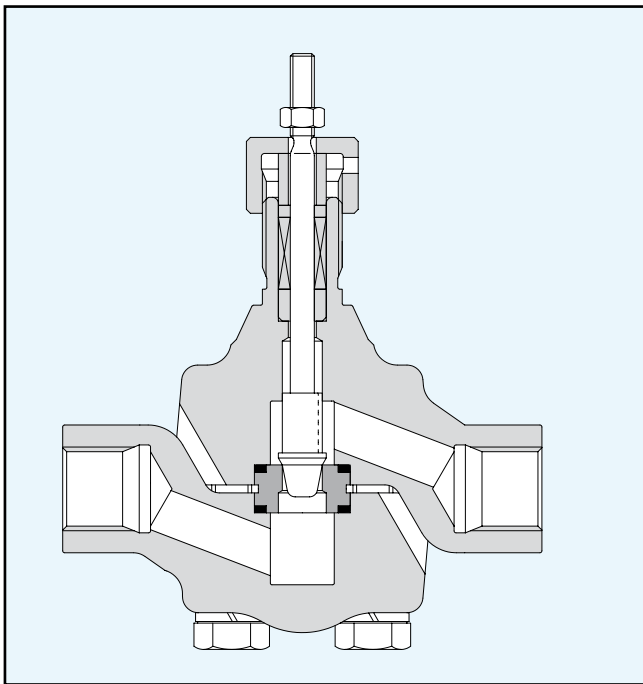


*Experience In Motion*

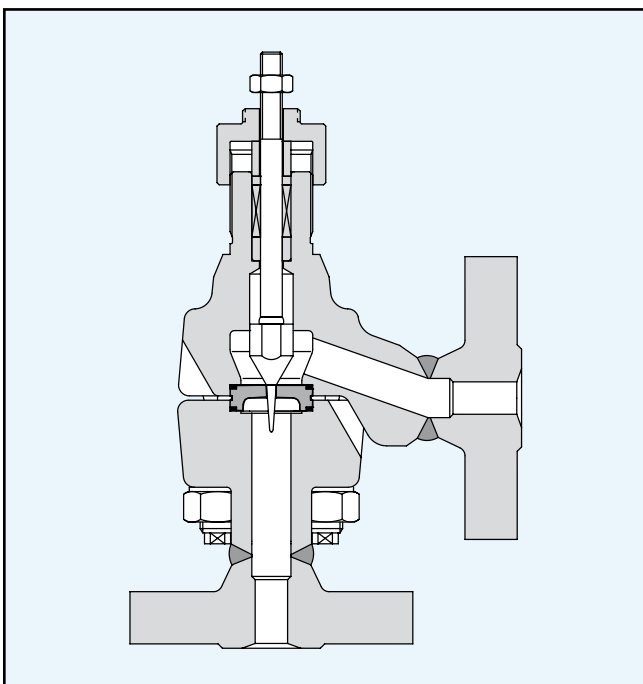
## Series 020000

### Description

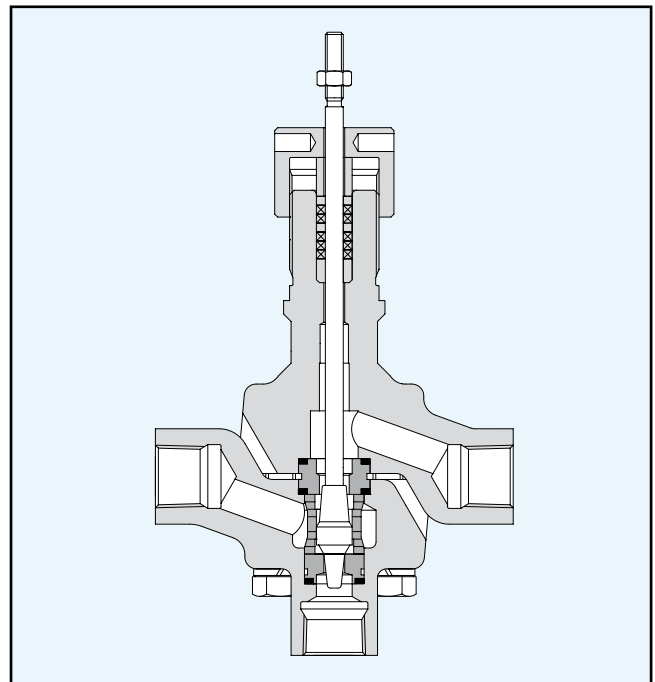
Kämmer Series 020000 are split body style valves manufactured from forged material. This engineering design easily adapts to meet application requirements. Furthermore this design makes the valves easy to clean and maintain.



Series 020000 globe valve



Series 021000 angle valve



Series 023000 3-way valve

## Series 020000

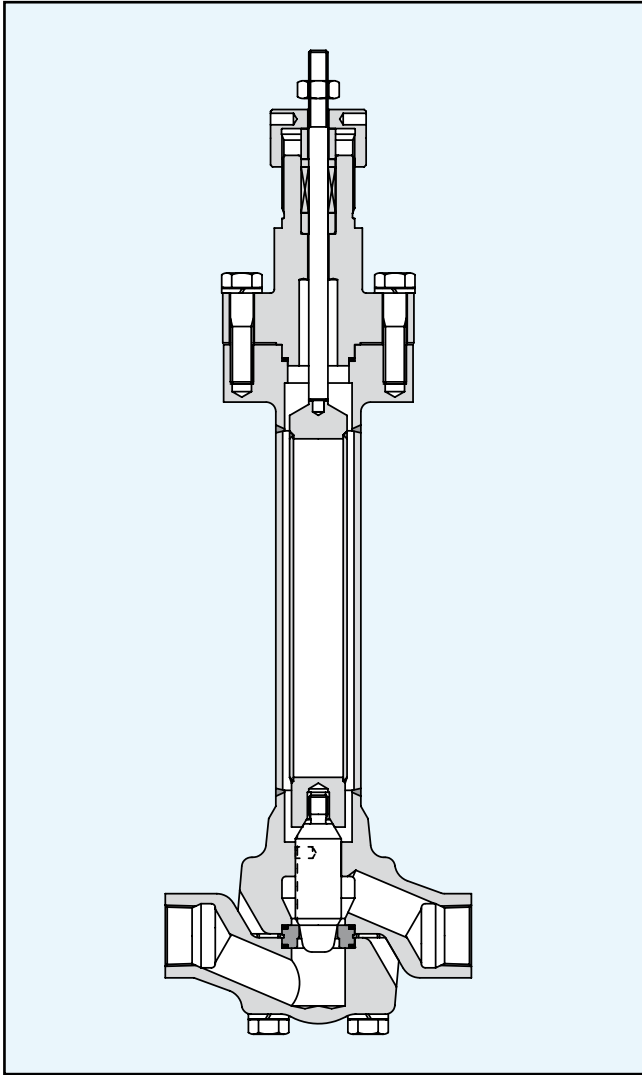
### Technical Data

<b>Valve body style</b>	Globe, angle, 3-way			
<b>Characteristics</b>	Equal%, Linear, On - Off			
<b>Rangeability</b>	See table on page 5			
<b>Seat leakage</b>	≤ 0.01% of rated $k_{vs}$ value, Class IV acc. to DIN IEC 534 - higher requirements on request			
<b>Material for plug / seat</b>	See table on page 5			
<b>PTFE soft seat (T = max. 150 °C)</b>	Valve seat with PTFE insert $k_{vs}$ 0.1 - 2.5			
<b>Packing</b>	PTFE for temperatures up to +200 °C Grafoil for temperatures over +200 °C PTFE packing for oxygen service Packing according to German clean air act (TA-Luft)			
<b>Body gasket</b>	PTFE for temperatures up to +200 °C 316Ti/Grafoil and Grafoil for temperatures over +200 °C			
<b>Extensions</b>	Standard, normalising fins, bellows seal, cryogenic			
<b><math>k_{vs}</math> values</b>	See table on page 5			
<b>Body material</b>	1.4571			
<b>Connections*</b>				
<b>DIN sizes:</b>	<b>10</b>	<b>15</b>	<b>20</b>	<b>25</b>
<b>DIN-Flanges PN 10 - 40</b>	X	X	X	X
<b>DIN-Flanges PN 63 - 400</b>	X	X	–	–
<b>ANSI sizes:</b>	–	½"	¾"	1"
<b>Class 150 - 300</b>	–	X	X	X
<b>Class 600 - 2500</b>	–	X	–	–
<b>Threaded</b>	ISO 228 - G ½" or NPT ½", PN 10 - 400			

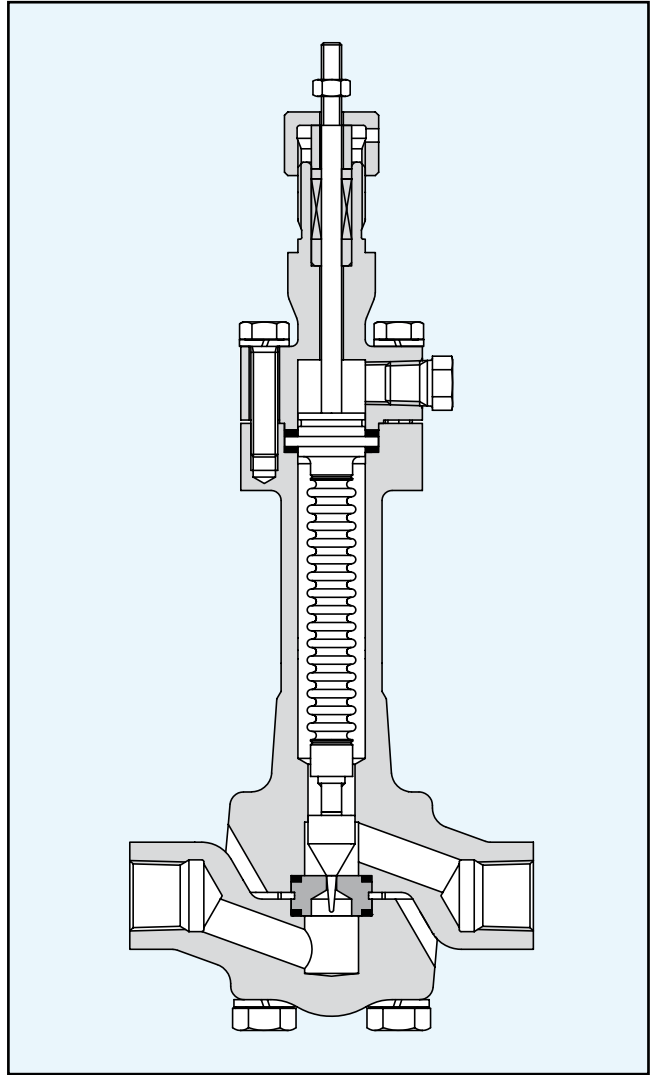
\*Tube fittings, weld ends and other connections on request.

**Series 020000**

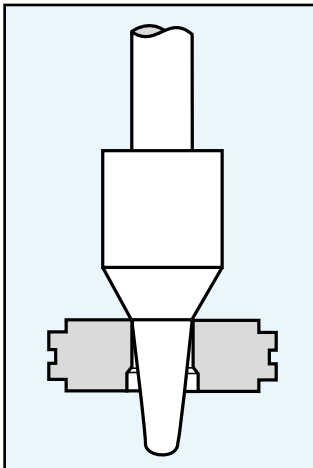
Designs



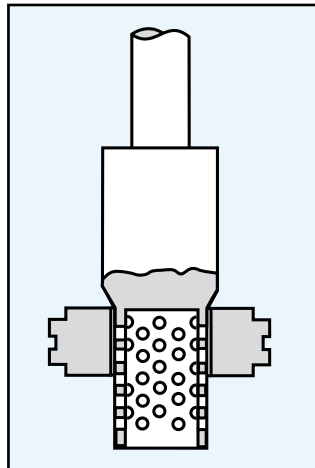
Valve with cryogenic extension



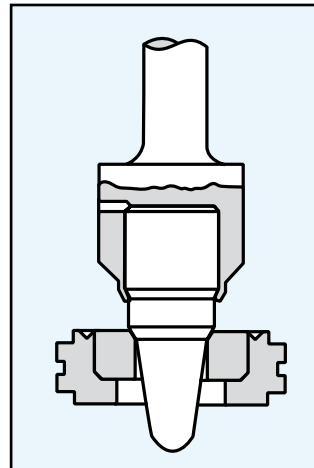
Valve with bellows seal



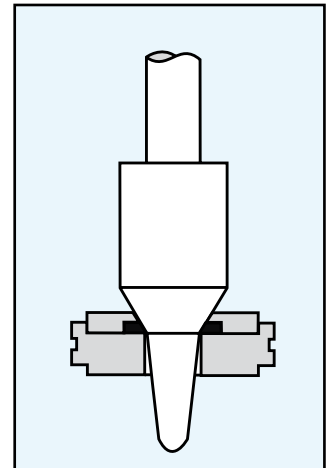
Standard trim



Low noise cage trim



Ceramics or tungsten carbide plug tip and seat



Trim with PTFE soft seat,  
T = max. 150 °C (series 011000)

## Series 020000

### Standard $K_{vs}$ Values

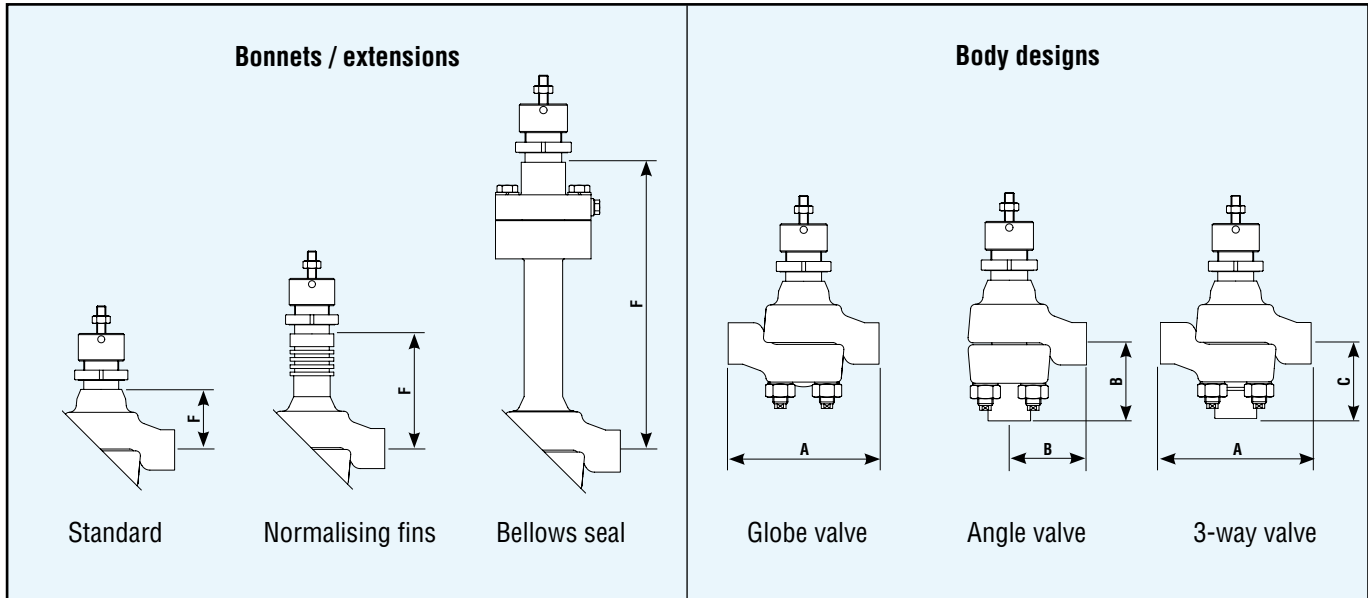
$K_{vs}$ values*	Reynolds factor, Kämmer ( $F_R$ )	Stroke (mm)	Stem diameter (mm)	Seat diameter (mm)	Rangeability**	Plug material, standard	Seat material, standard	Characteristics, lin	Characteristics, equal%	Alternative materials for seat/plug	
										Tungsten carbide; Hastelloy C; Ceramics	Nickel; Monel; Titanium; Alloy 6
0.000001	0.019	10	6	2	25:1	Alloy 6	1.4122	-	X	-	-
0.000016	0.024							-	X	-	-
0.000025	0.030							-	X	-	-
0.00004	0.038							-	X	-	-
0.000063	0.049							-	X	-	-
0.00001	0.062	10	6	2	25:1	Alloy 6	1.4122	-	X	-	-
0.000016	0.079							-	X	-	-
0.000025	0.100							-	X	-	-
0.00004	0.128							-	X	-	-
0.000063	0.162							-	X	-	-
0.0001	0.206	10	6	2	25:1	Alloy 6	1.4122	-	X	X	-
0.00016	0.249							-	X	X	-
0.00025	0.298							-	X	X	-
0.0004	0.360							-	X	X	-
0.00063	0.432							-	X	X	-
0.001	0.520	10	6	2	25:1	Alloy 6	1.4122	-	X	X	-
0.0016	0.628							-	X	X	-
0.0025	0.751							-	X	X	-
0.004	0.871							-	X	X	-
0.0063	0.931							-	X	X	-
0.01	0.940	10	6	3	50:1	Alloy 6	1.4571	X	X	X	X
0.016	0.968							X	X	X	X
0.025	0.983							X	X	X	X
0.04	0.990							X	X	X	X
0.063	1.000							X	X	X	X
0.10	1.000	10	6	3	50:1	1.4571	1.4571	X	X	X	X
0.16	1.000							X	X	X	X
0.25	1.000			4.5				X	X	X	X
0.40	1.000							X	X	X	X
0.63	1.000			7				X	X	X	X
1.0	1.000	10	X		X	X	X				
1.6	1.000		X		X	X	X				
2.5	1.000		X	X	X	X					

\*  $K_{vs} \leq 0,25 = K_v \times F_R$  acc. to IEC 534

\*\* For calibrating conditions

## Series 020000

### Dimensions (mm)



#### Dimension F

Connection	Standard	Fins	Bellows PN 10 - 100	Bellows PN 160 - 250
All valves	45	85	230	305

Dimensions for valves with cryogenic extensions on request.

#### Dimension B / C

Valve size	Threaded PN 10 - 400	DIN Flange			DIN Flange (RF)*				
		PN 10 - 40	PN 63 - 160	PN 250 - 400	Class 150	Class 300	Class 600	Cl. 900/1500	Class 2500
10 / 1/4"	-	85	105	115	-	-	-	-	-
15 / 1/2"	60	90	105	115	89	95	102	108	132
20 / 3/4"	-	95	115	-	90	97	103	-	-
25 / 1"	-	100	115	-	92	98	105	-	-

#### Dimension A

Valve size	Threaded PN 10 - 400	DIN Flange			DIN Flange (RF)*				
		PN 10 - 40	PN 63 - 160	PN 250 - 400	Class 150	Class 300	Class 600	Cl. 900/1500	Class 2500
10 / 1/4"	-	130	210	230	-	-	-	-	-
15 / 1/2"	120	130	210	230	178	190	203	216	264
20 / 3/4"	-	150	230	-	181	194	206	-	-
25 / 1"	-	160	230	-	184	197	210	-	-

\* Face-to-face dimensions of valves with other flange facings on request.

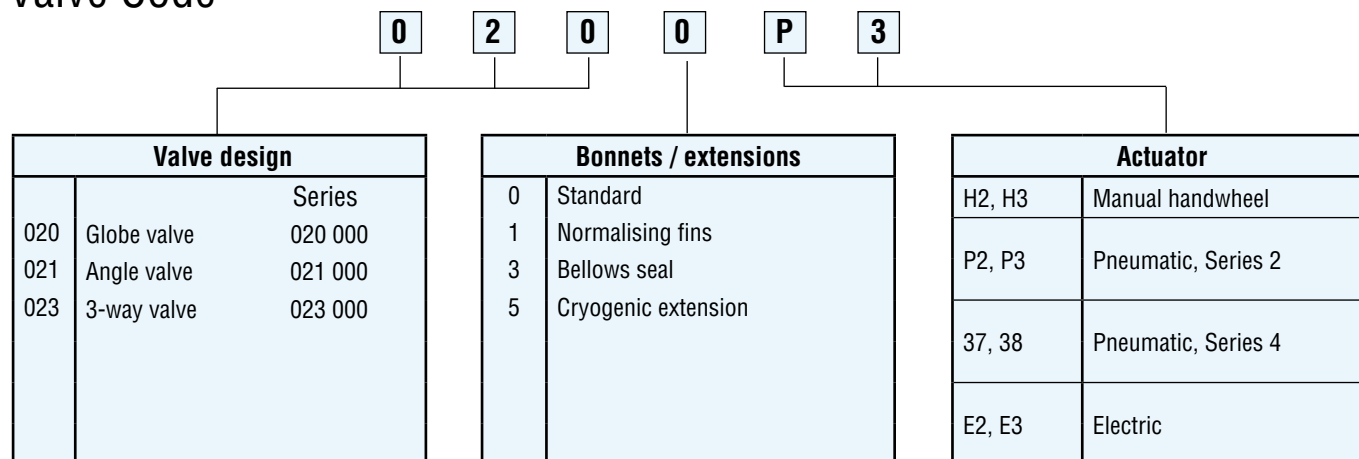
## Series 020000

### Weights (kg)

Valve series	Valve size		Threaded PN 10 - 40	DIN Flange PN			ANSI Flange Class			
				10 - 40	63 - 160	250 - 400	150	300	600	900 - 2500
<b>020000 Standard</b>	10	-	-	3.5	4.4	6.5	-	-	-	-
	15	½"	2.3	3.7	4.6	8.7	3.3	3.8	4.0	8.0
	20	¾"	-	4.4	-	-	3.7	4.8	-	-
	25	1"	-	4.9	-	-	4.4	5.5	-	-
<b>020100 Fins</b>	10	-	-	3.7	4.6	6.7	-	-	-	-
	15	½"	2.5	3.9	4.8	8.9	3.5	4.0	4.2	8.2
	20	¾"	-	4.6	-	-	3.9	5.0	-	-
	25	1"	-	5.1	-	-	4.5	5.7	-	-
<b>020300 Bellows</b>	10	-	-	4.6	5.5/7.5	7.6/9.6	-	-	-	-
	15	½"	3.4	4.8	5.7/7.7	9.8/11.8	4.4	4.9	5.1	9.1
	20	¾"	-	5.5	-	-	4.8	5.9	-	-
	25	1"	-	6.0	-	-	5.4	6.6	-	-
<b>023000 Standard</b>	10	-	-	4.2	5.6	7.7	-	-	-	-
	15	½"	2.4	4.5	5.9	10.0	3.9	4.6	5.0	9.0
	20	¾"	-	5.6	-	-	4.5	6.2	-	-
	25	1"	-	6.3	-	-	5.4	6.9	-	-
<b>023100 Fins</b>	10	-	-	4.4	5.8	9.9	-	-	-	-
	15	½"	2.6	4.7	6.1	10.1	4.1	4.8	5.2	9.2
	20	¾"	-	5.8	-	-	4.7	6.4	-	-
	25	1"	-	6.5	-	-	5.6	7.1	-	-

Weights for valves with cryogenic extensions on request.

### Valve Code





**Germany**

Flowserve Essen GmbH  
Flowserve Flow Control  
Kämmer Ventile  
Manderscheidtstrasse 19  
45141 Essen  
Germany  
Tel.: +49 (0) 201 89 19 5  
Fax.: +49 (0) 201 89 19 662

FCD KMEEBR2020-00 08.06

Your contact:

A large, empty rectangular box with a dashed border, intended for the user to provide contact information.

All data subject to change without notice  
©08.2000 Flowserve Corporation. Flowserve and Kämmer are trademarks of Flowserve Corporation